



future plastics l.l.c
FUTURE GROUP

المستقبل للبلاستيك ش.م.م
مجموعة المستقبل

**PERFECTION IN
ALL ANGLES**

About Future Plastics L. L. C

Commissioned in the year 1999, Future Plastics LLC is the manufacturer of UPVC fittings and pipes. Being the latest venture under the flagship of the Future Group, it manufactures and markets superior and cost effective high quality fitting products, catering to the domestic and international markets.

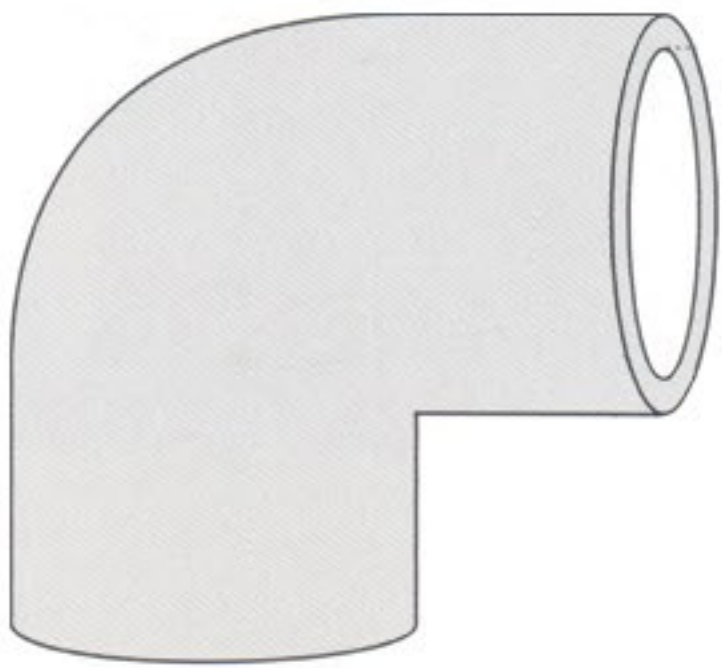
The products of Future Plastics comply with the British Standards BS 4346 Part 1: 1969 CLASS E for pipe fittings and BS 3505, BS 35255 for pipes, and are developed using sophisticated machinery and precisely designed moulds. Also, the material used comply with ISO 727 standards and requirements of WHO (world health organization) for portable water transportation and confirms to ECC. We maintain safety criteria for vinyl chloride monomer (VCM) as well as to the food and drug administration of America regulations for food application.



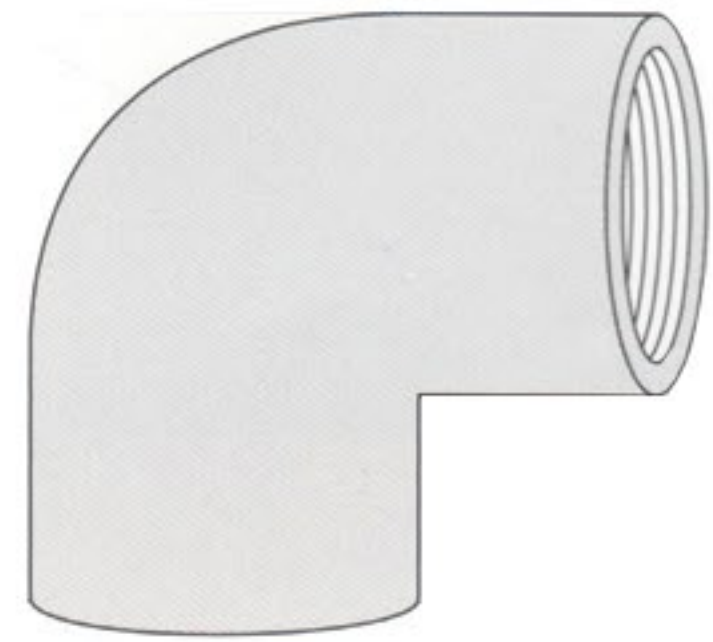
The overriding success of future plastics, in a short span is on account of stringent quality control, utilization of high grade raw material coupled with expertise of a dedicated team of highly skilled technicians and last but not least its innovative and dynamic customer oriented approach. At Future plastics, the latest development in the industry are tested and incorporated into the products. Hence we are able to offer you the best in the market.

Our Product Range

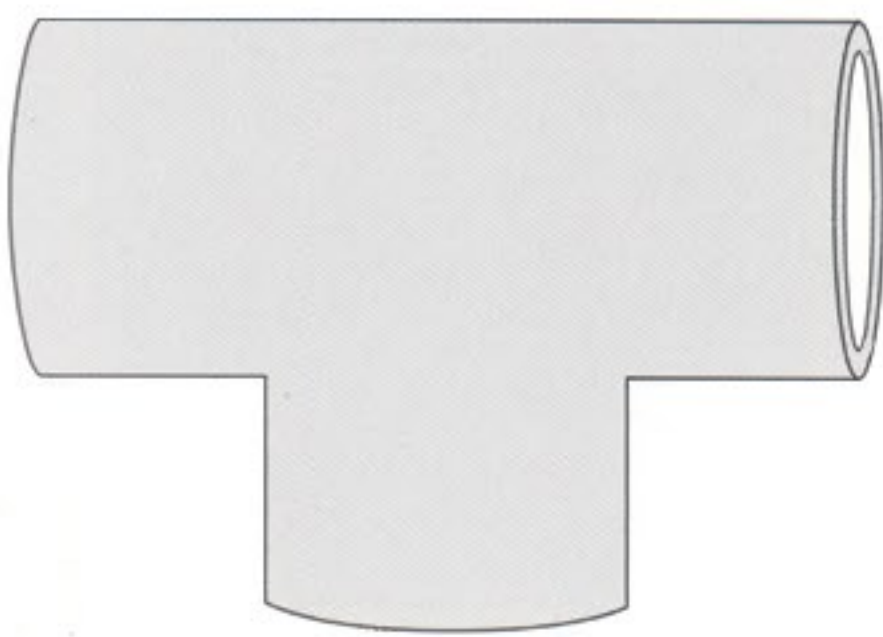
INCH SYSTEM - BS4346



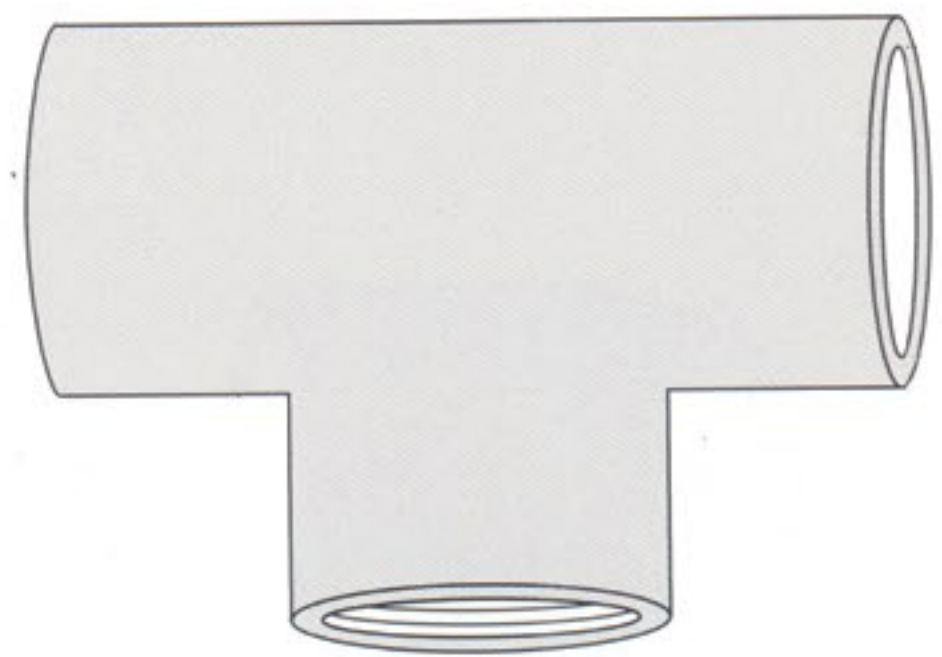
Elbow Plain 90 deg.



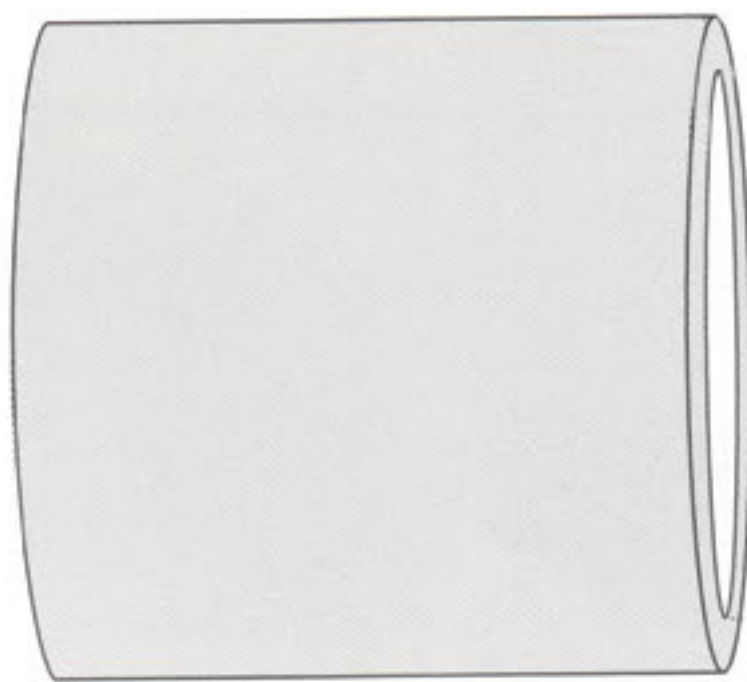
Threaded Elbow (Female) 90 Deg.



Tees Plain Equal 90 deg.



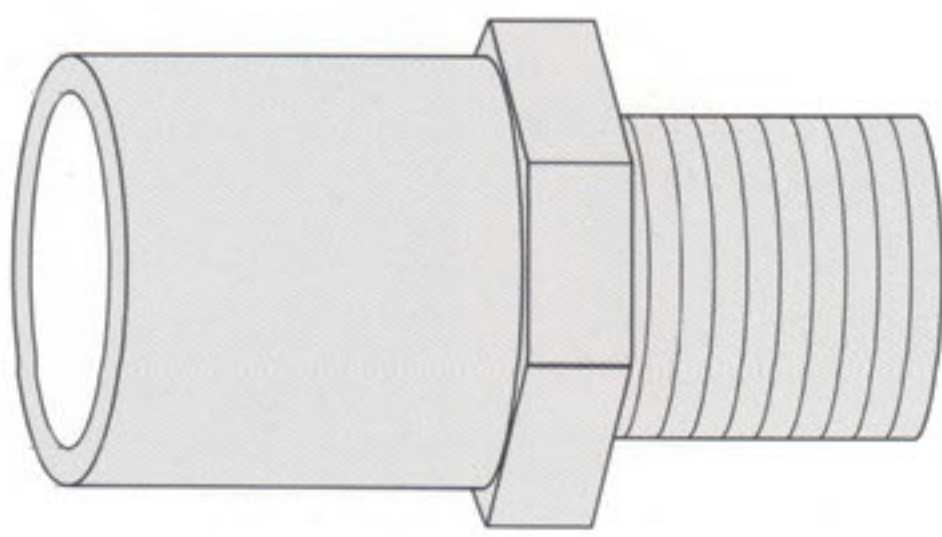
Threaded Tee (Female)



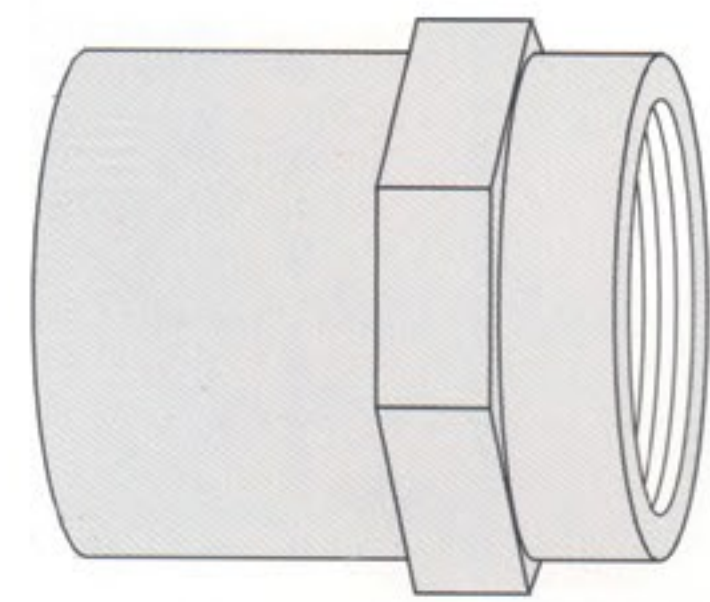
Sockete Plain



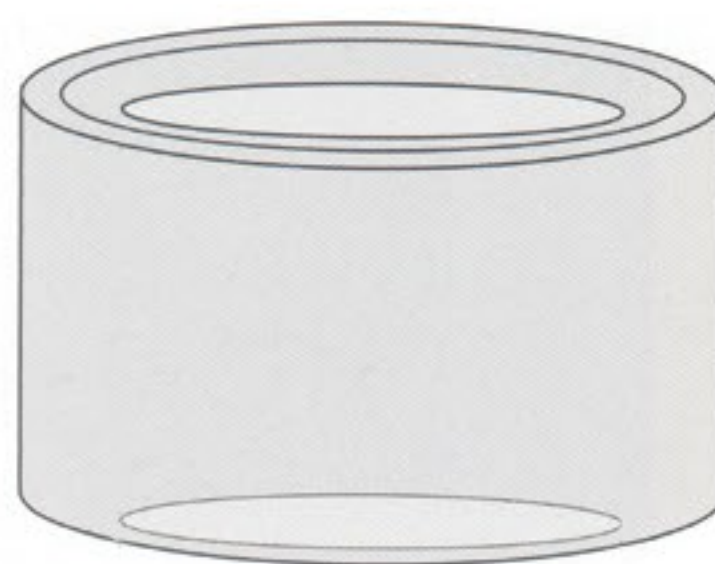
End Cap Plain



Male Adaptors / Nipple Socket



Female Adaptors



Reducing Bushes Plain



Our Advantages



Corporate Address


future plastics l.l.c
FUTURE GROUP

Post Box 29, P C 327. Sohar Industrial Estate
Sultanate of Oman

Sohar - Tel : (968) 850177, Fax : (968) 850116

Email : future1@omantel.net.om

Ruwi :

Post Box: 2246 , P .C. : 112. Ruwi, Sultanate of Oman

Ruwi - Tel : (968) 798722, Fax : (968) 781254